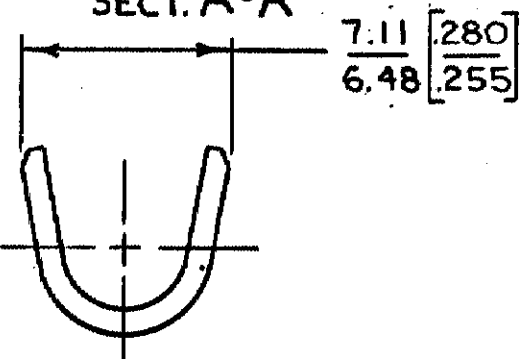
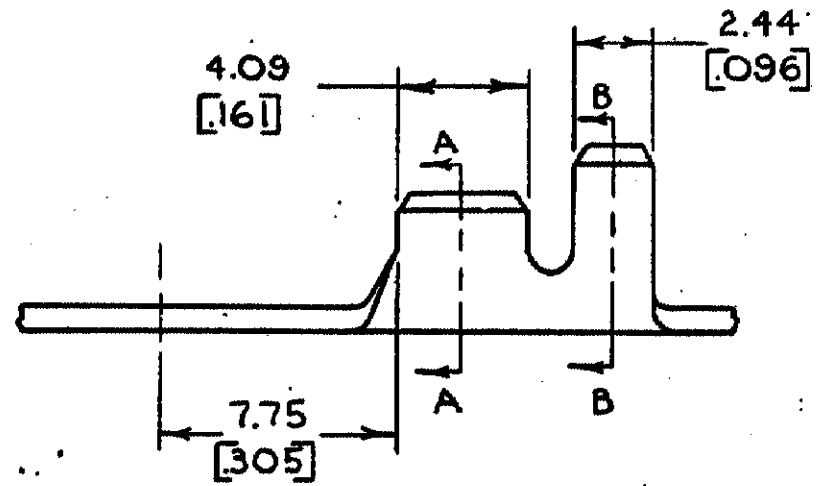
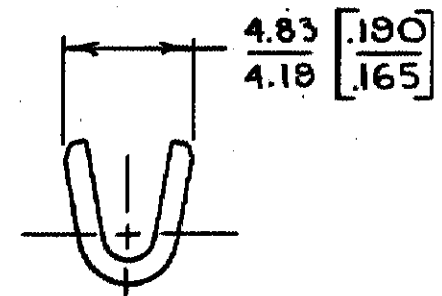
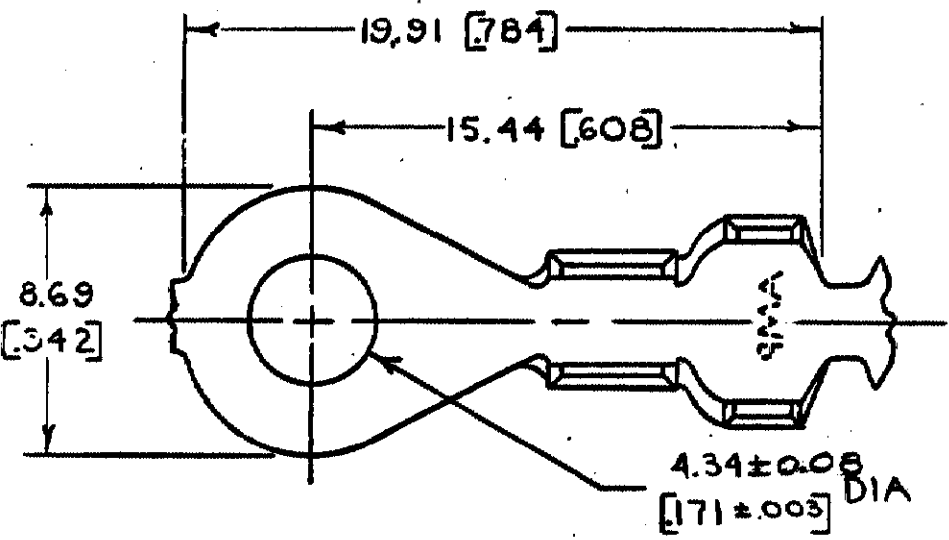


© COPYRIGHT 1974 BY AMP INCORPORATED, HARRISBURG, PA.
 ALL INTERNATIONAL RIGHTS RESERVED. AMP INCORPORATED PRODUCTS
 COVERED BY U. S. AND FOREIGN PATENTS AND/OR PATENTS PENDING.

REVISIONS					
P	ZONE	LTR	DESCRIPTION	DATE	APPROVED
✓		C	REDRAWN & REVISED	A-3943 4-7-78	D.J.F.
✓		D	REVISED	AF0538 10/9/84	J.P. 6/4
✓		E	OBS, 640102-2, ECN AF 2261	225187	LO/64
			RE-ACTIVATED, ECN AF 3113	306187	



M4 #8	0.8-2.0mm ² [8-14]	3.56-4.83 [.140-.190]	NONE TIN	0.76 [.030] BRASS	640102-2 640102-1
STJD SIZE	WIRE RANGE	INSULATION RANGE	FINISH	MATERIAL	PART NO

1. CONTINUOUS STRIP ON REELS.
 2. DIMENSIONS IN BRACKETS
 ARE IN INCHES.

METRIC

UNLESS OTHERWISE SPECIFIED DIMENSIONS ARE IN MILLIMETERS TOLERANCES ON DECIMALS ± .05 [015] ANGLES ± 1° 0'	CONTRACT NO		AMP INCORPORATED Harrisburg, Pa.		
	DR D.FABIAN 4-7-74				
	CHK J. Hoffbauer 11/19/78		NAME		
	MATERIAL SEE TABLE		APPD R.P. Franke 8-1-78		
FINISH SEE TABLE		APPD G. Zinke 8-1-78		RING	
OTHER APPD		SIZE	CODE IDENT NO	DRAWING NO	
		B	00779	640102	
		SCALE			SHEET